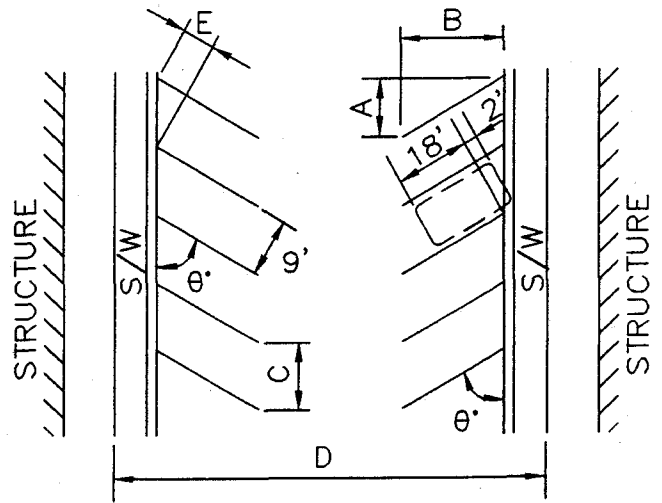
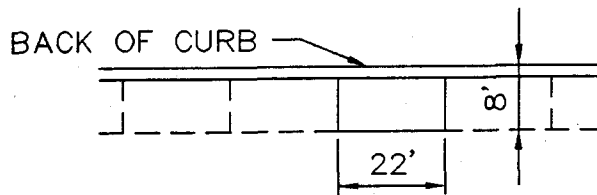


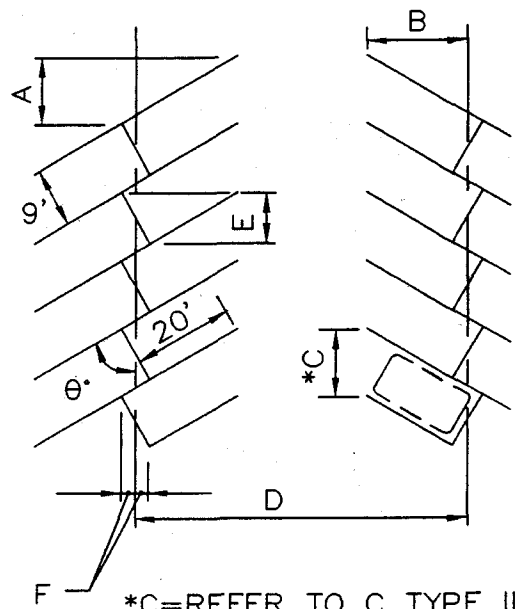
TYPE I



TYPE II



PARALLEL PARKING STALL



TYPE III

NOTE: DIMENSIONS BELOW ARE GIVEN IN FEET ^{70.2}

θ°	TYPE I				TYPE II					TYPE III				
	A	B	C	D	A	B	C	D	E	A	B	D	E	F
45	20.5	20.5	12.7	36.5	19.1	19.1	12.7	66.2	9.0	20.5	17.3	50.6	6.4	3.2
60	12.6	21.8	10.4	37.8	11.6	20.1	10.4	68.2	5.2	12.6	19.6	55.2	7.8	2.3
90	0.0	20.0	9.0	44.0	0.0	18.0	9.0	72.0	0.0	0.0	20.0	64.0	9.0	0.0

OLAHE, KANSAS MUNICIPAL SERVICES/ENGINEERING DIVISION	APPROVED	REVISED	PARKING LOT DETAILS	STANDARD DETAIL 8-1
	SJM CITY ENGINEER	<hr/> <hr/> <hr/>		
	6-1-89 DATE	<hr/> <hr/> <hr/>		